

Network Connectivity



Achieve high density with reliable end-to-end connectivity



How to achieve high density with reliable end-to-end connectivity



Great news for installers! When the entire solution comes from the same supplier, you can rely on 100 % integration.

A data centre is a significant investment that needs to be balanced with current and future needs, as well as with cost efficiency and minimized energy consumption. An optimised, thorough analysis of the requirements in terms of layout, density and capacity is vital. Schneider Electric offers all the knowledge and products needed for presenting a complete end-to end solution, with accurate, easily maintained and future-proof operation as the result. A fact that is beneficial for every player involved.

The spacious work environment lets me work faster and get even more jobs done!



APC
www.apc.com

© 2013 APC

HD server area

Ensure future-proof HD capacity

Now you can truly optimise the efficiency of your HD data centre. Since high-density zones can be deployed anywhere, extensions, new configuration and maintenance is more manageable than ever before. Benefit from significantly improved visibility and control of the entire solution – ideal for very dense enterprise and flexible colocation data centres.



Let the air flow and put an end to inefficient cooling

The new Actassi overhead patching frame is the perfect solution for dealing with technical constraints in the data centre, such as overheating and space scarcity.

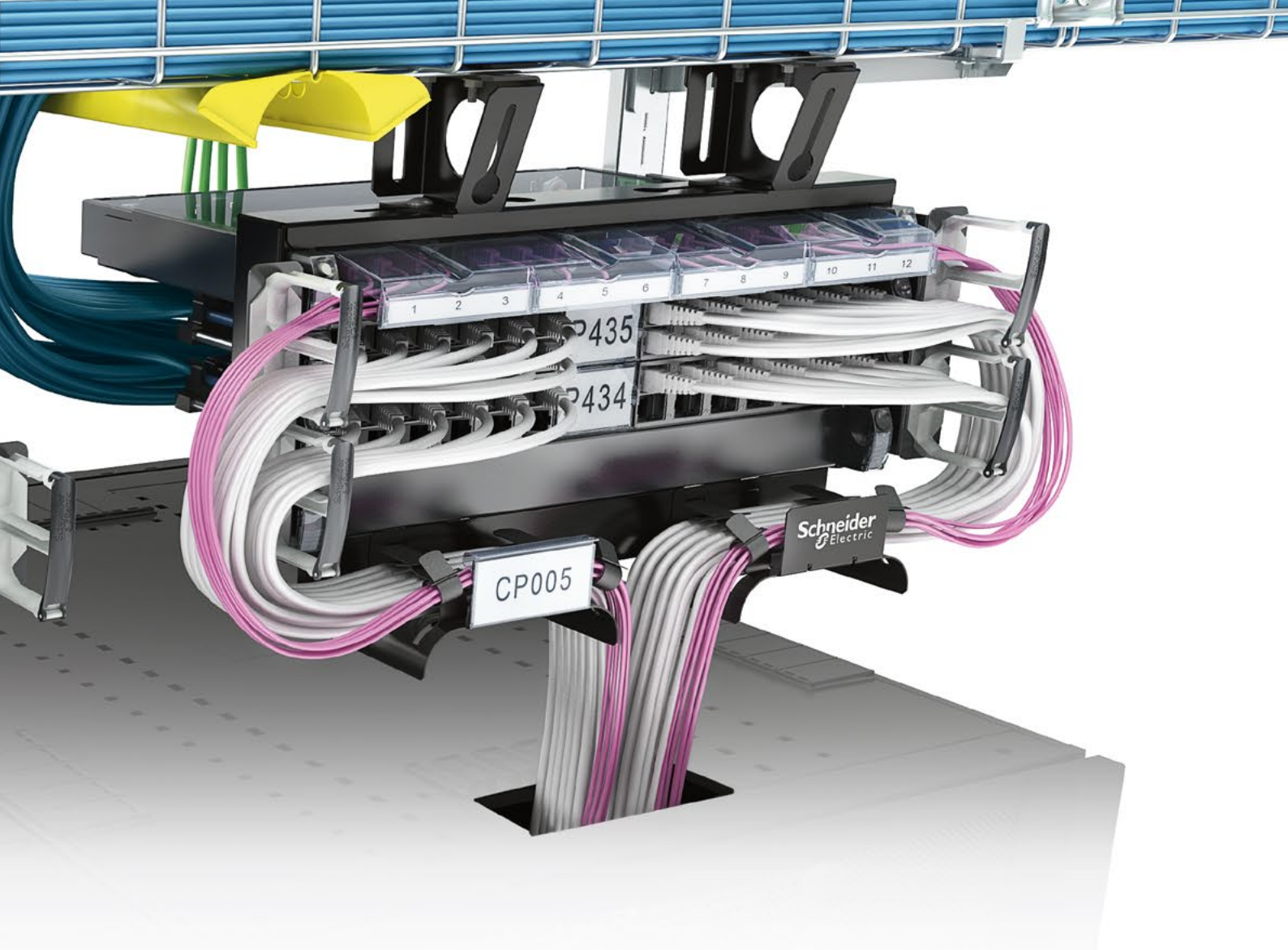
One of the major issues you have to deal with is the cooling. Large HD data centre solutions generate a considerable amount of heat that may cause costly unplanned downtime, if not taken care of. The InfraStruXure HD provides two ways of supplying effective cooling: The InfraStruXure HD overlay, which allows you to

identify the critical areas in your data centre and manage them on the spot. Or the Entirely InfraStruXure HD, for a more comprehensive solution with system-wide visibility and still plenty of room to grow.

Either way, you can start by putting the basic HD framework in place and making the complete data centre solution flexible and ready for future changes. By being well prepared, it is easy to scale up to a higher density when needed.



Count on improved
efficiency and higher ROI



The Actassi overhead patching frame – increasing cabling density

The Actassi 19" overhead patching frame allows you to use the empty space above the enclosure. Just mount the frame onto the tray, either vertically or in an angle. For mounting on mesh trays, use the special quick tray mounting device. Install patch panels and make the entire enclosure beneath available for server hosting. The patching frame now works as a consolidation point, enabling flexible cabling layout as well as convenient addition of new enclosures and servers.



Robust cord managers for bend radius protection.



Large label for clear visibility from the ground.



For maximum convenience, the brackets enable vertical or angled mounting of the frame.

Schneider Electric is the global specialist in energy management and automation. With revenues of €25 billion in FY2014, our 170,000 employees serve customers in over 100 countries, helping them to manage their energy and process in ways that are safe, reliable, efficient and sustainable. From the simplest of switches to complex operational systems, our technology, software and services improve the way our customers manage and automate their operations. Our connected technologies will reshape industries, transform cities and enrich lives.

At Schneider Electric, we call this Life Is On.

Schneider Electric

United Kingdom
Stafford Park 5,
Telford
Shropshire
TF3 3BL
Tel: 0870 608 8 608
Fax: 0870 608 8 606

Ireland
Head office, Block A
Maynooth Business Campus
Maynooth, Co. Kildare
W23 Y7X0
Tel: 1 800 805 800
Fax: (01) 601 2201

www.schneider-electric.co.uk

www.schneider-electric.com/ie

December, 2015
998-TBC

©2015 Schneider Electric. All Rights Reserved.

All trademarks are owned by Schneider Electric Industries SAS or its affiliated companies.

This document has been
printed on recycled paper

