

DATA SHEET



DisplayPort™ to HDMI® Adapter

Adapts a DisplayPort connector to HDMI for display of PC video content on virtually any high-definition digital display

OVERVIEW

This adapter is perfect for situations where a computer with a DisplayPort video output must be connected to an HDMI display. The small form-factor of this adapter is the perfect size for transport. Connect the adapter directly to the PC and then connect your HDMI cable between the adapter and the display. This adapter features nickel-plated DisplayPort connector and supports up to a full 1080p resolution.

Please Note: This DisplayPort adapter operates passively and is designed for use with dual mode graphics cards often designated with D++. HDMI audio is supported by this adapter when connected to a device that possesses dual mode and HDMI audio capability. Although the vast majority of source devices support HDMI with audio, some are incapable when using a passive adapter. If you are uncertain if your source device supports HDMI audio with passive adapters, please consult with your computer or graphics card manufacture to verify.

FEATURES

- Maximum video resolution of 1920 x 1200
- Small form factor
- Supports 1.62Gbps and 2.7Gbps transfer rates
- Compliant with DisplayPort 1.1

ITEM DESCRIPTION

84151 DisplayPort to HDMI Adapter

DATA SHEET

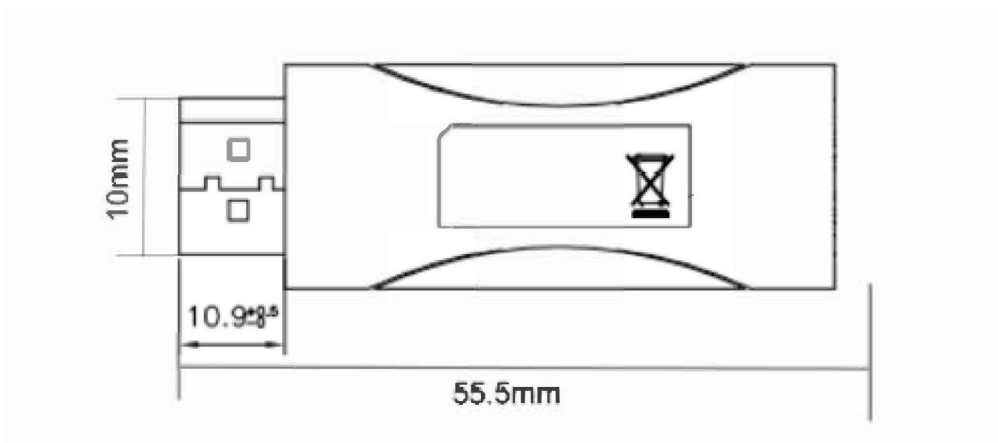
SPECIFICATIONS: DisplayPort™ to HDMI® Adapter

VIDEO SPECIFICATIONS:

- Video Input: DisplayPort
- Video Output: HDMI
- Maximum Video Resolution: 1920 x 1200
- HDMI Output Voltage Rating: 5V

PHYSICAL SPECIFICATIONS:

- Adapter Length: 10mm x 55.5mm
- Housing Materials: Plastic
- Operating Temperature: -0°C~70°C
- Storage Temperature: -0°C~80°C



C2G[®]
A brand of **legrand**

Great King Street North
Birmingham, West Midlands B19 2LF
UK Phone (0)800 328 2916
EMEA Phone +44 (0)1952 677300
www.c2g.com/uk

Follow Us

