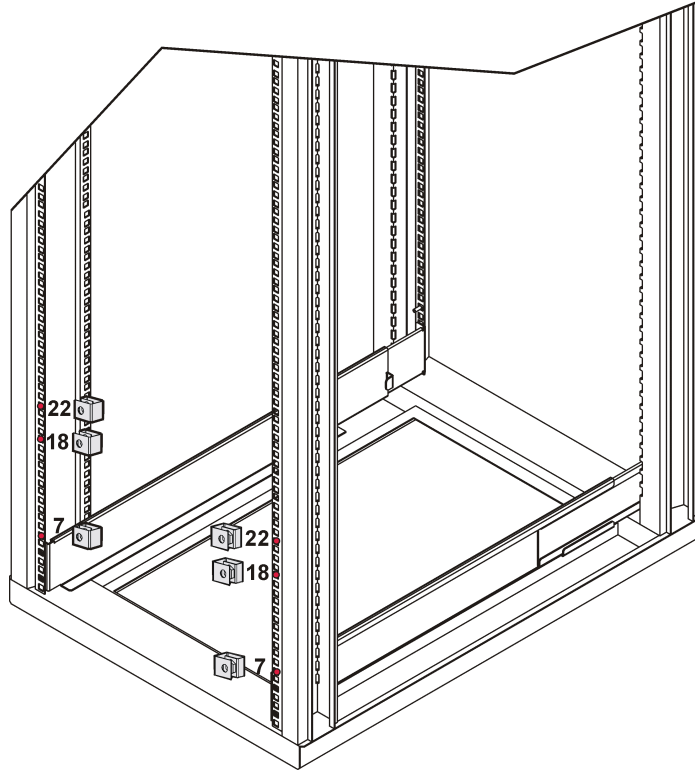
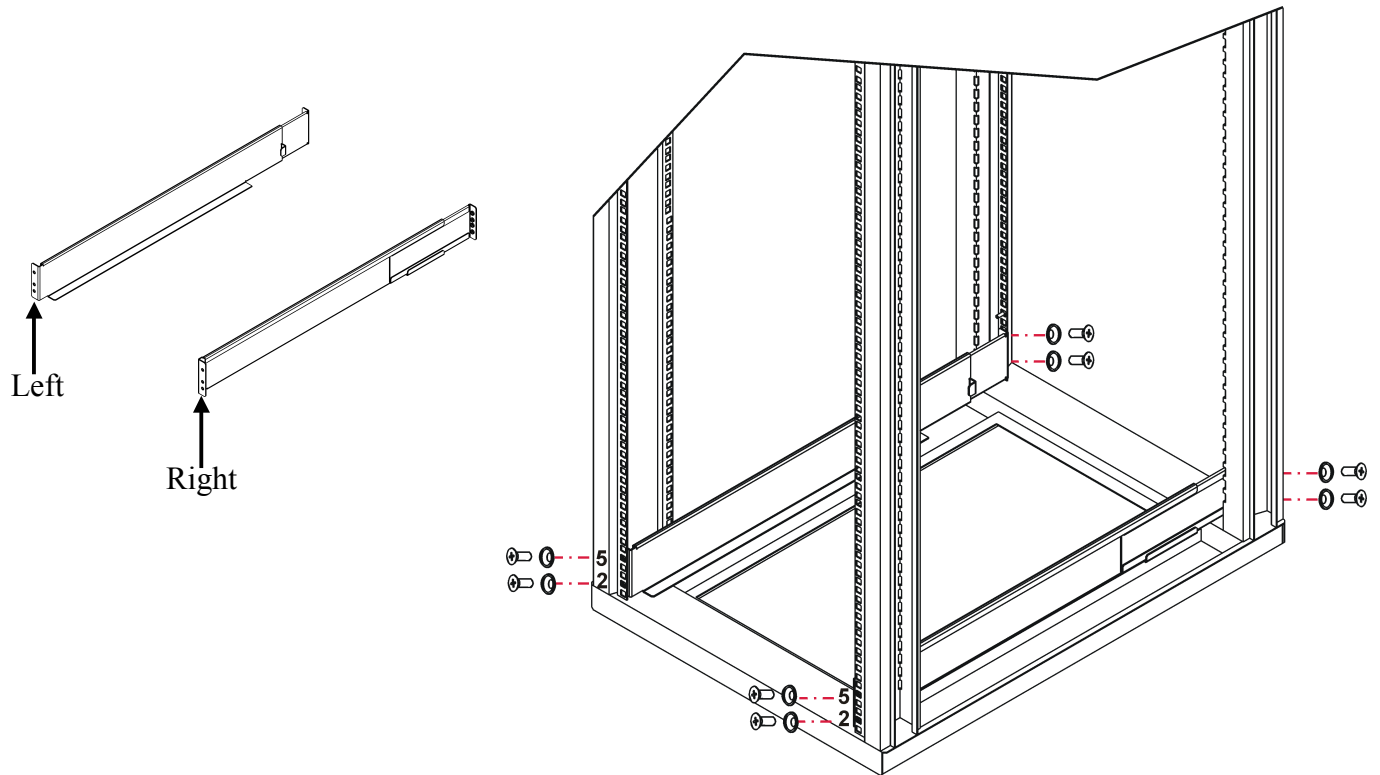


Symmetra™ RM 6kVA N + 1 Redundant Array

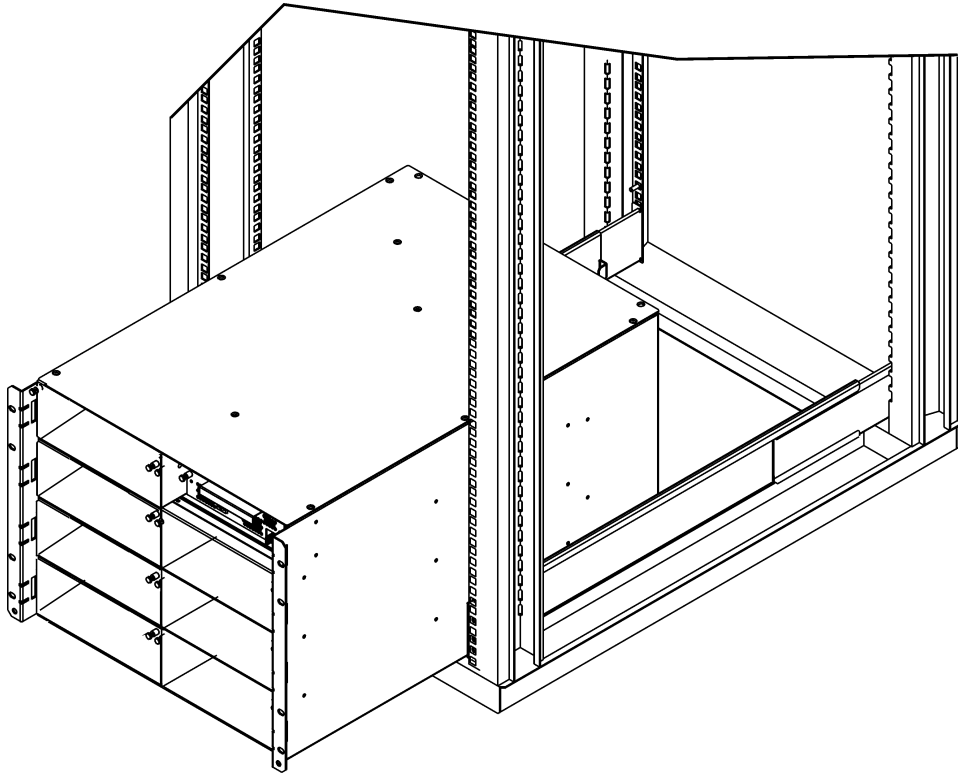
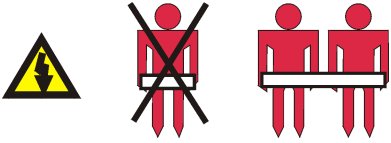
1. Install cage nuts in the posts.



2. Install the rails in the rack.



3. Slide the UPS into the rack.



4. Secure unit in rack.

